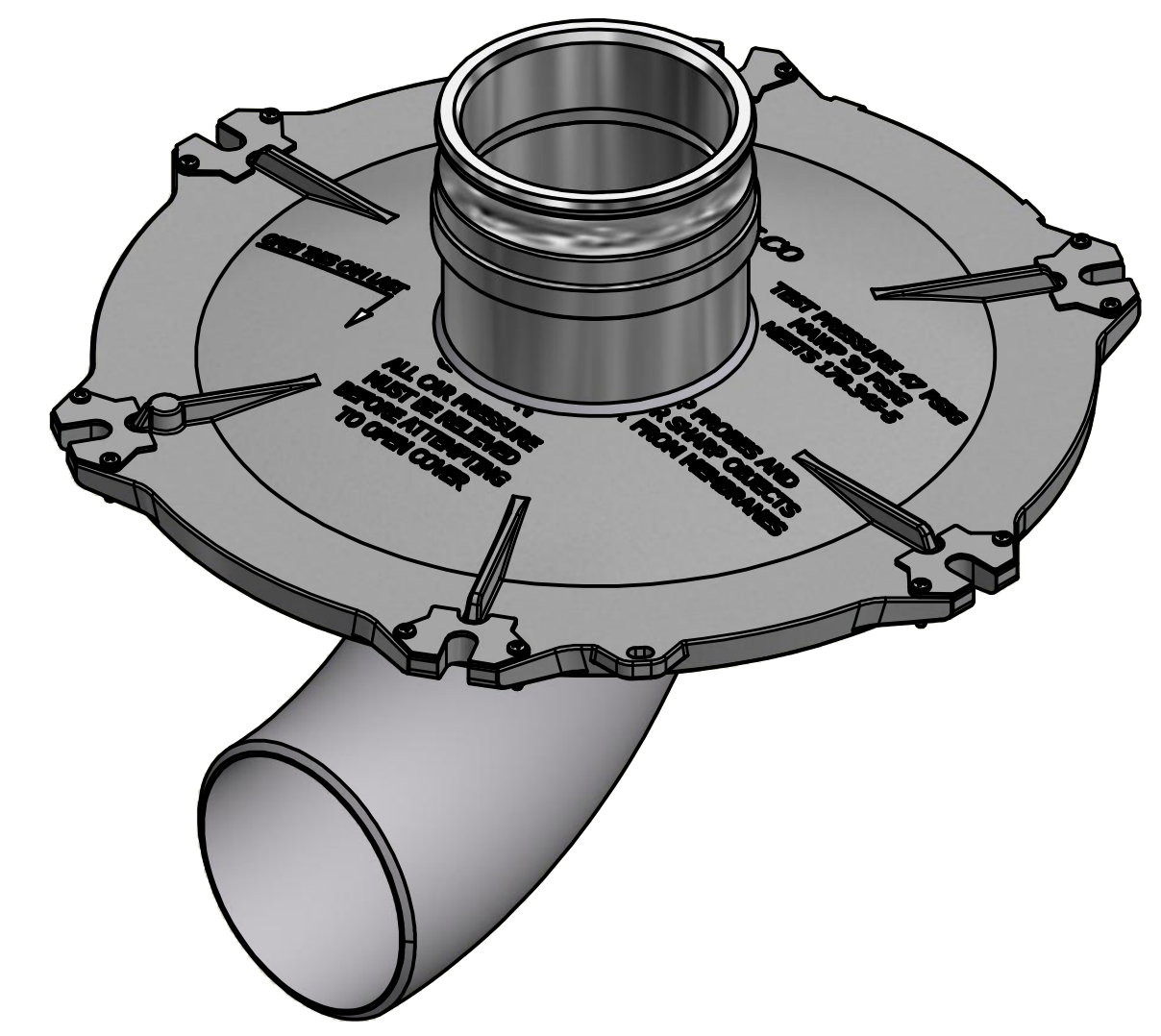
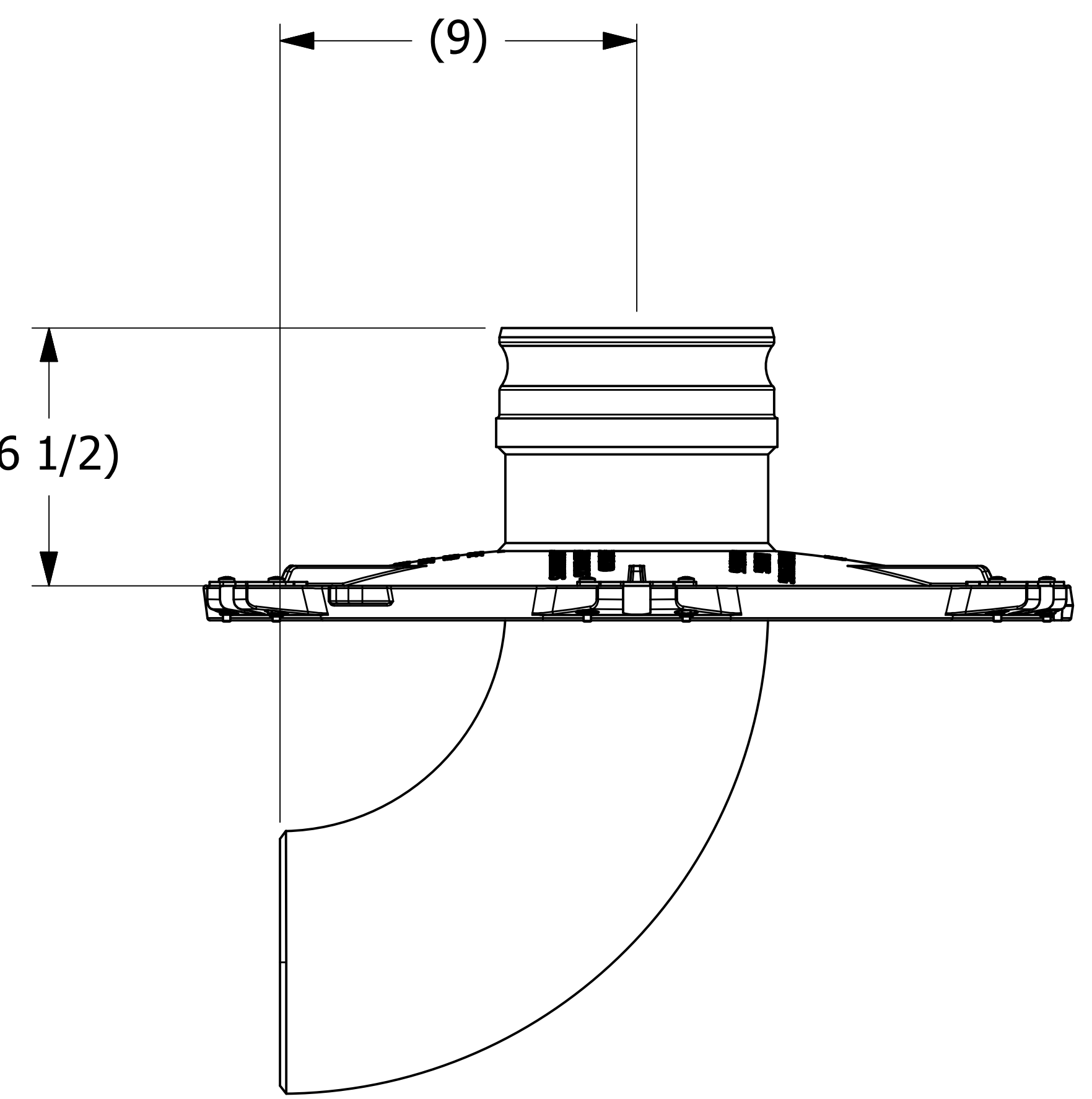
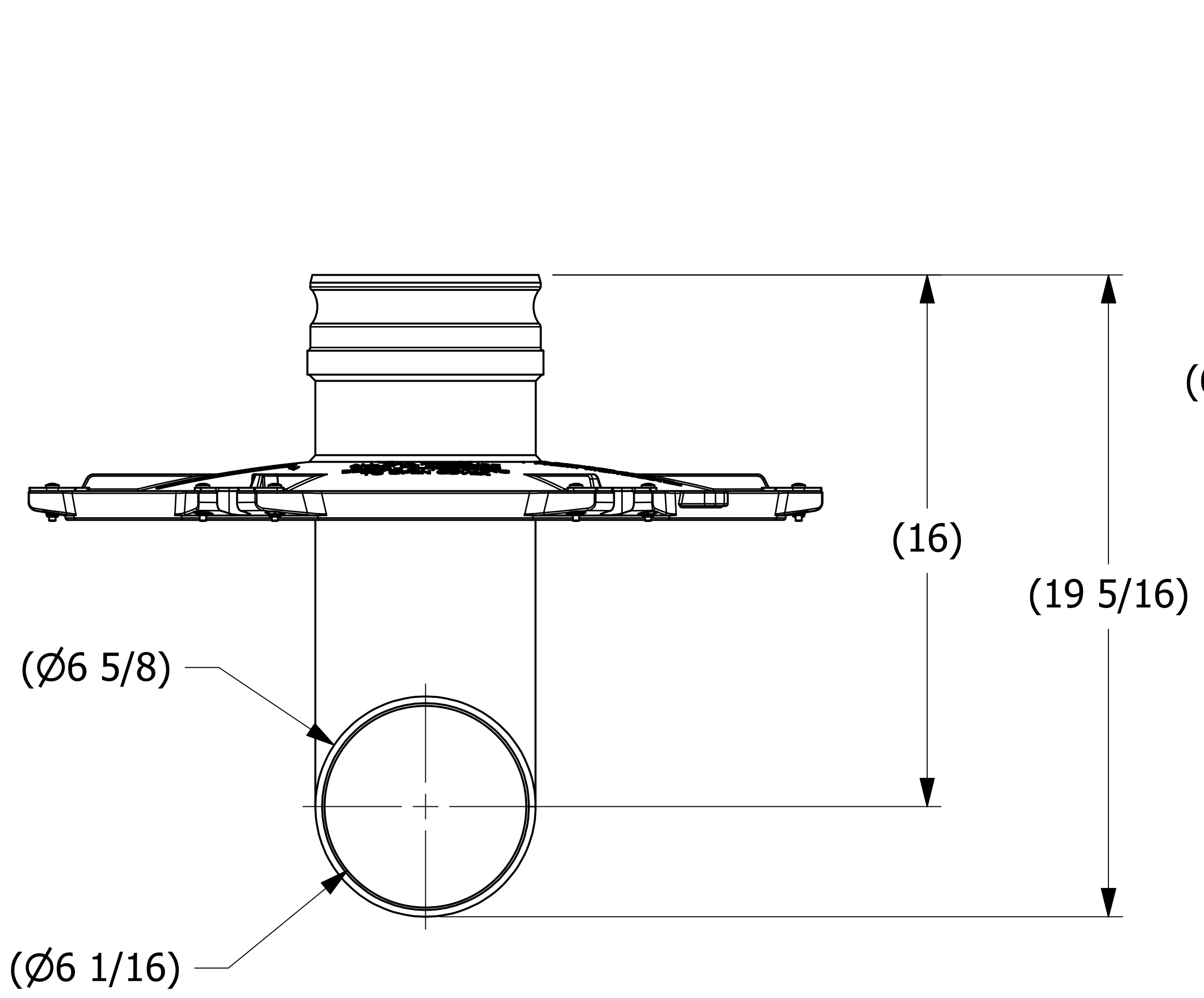
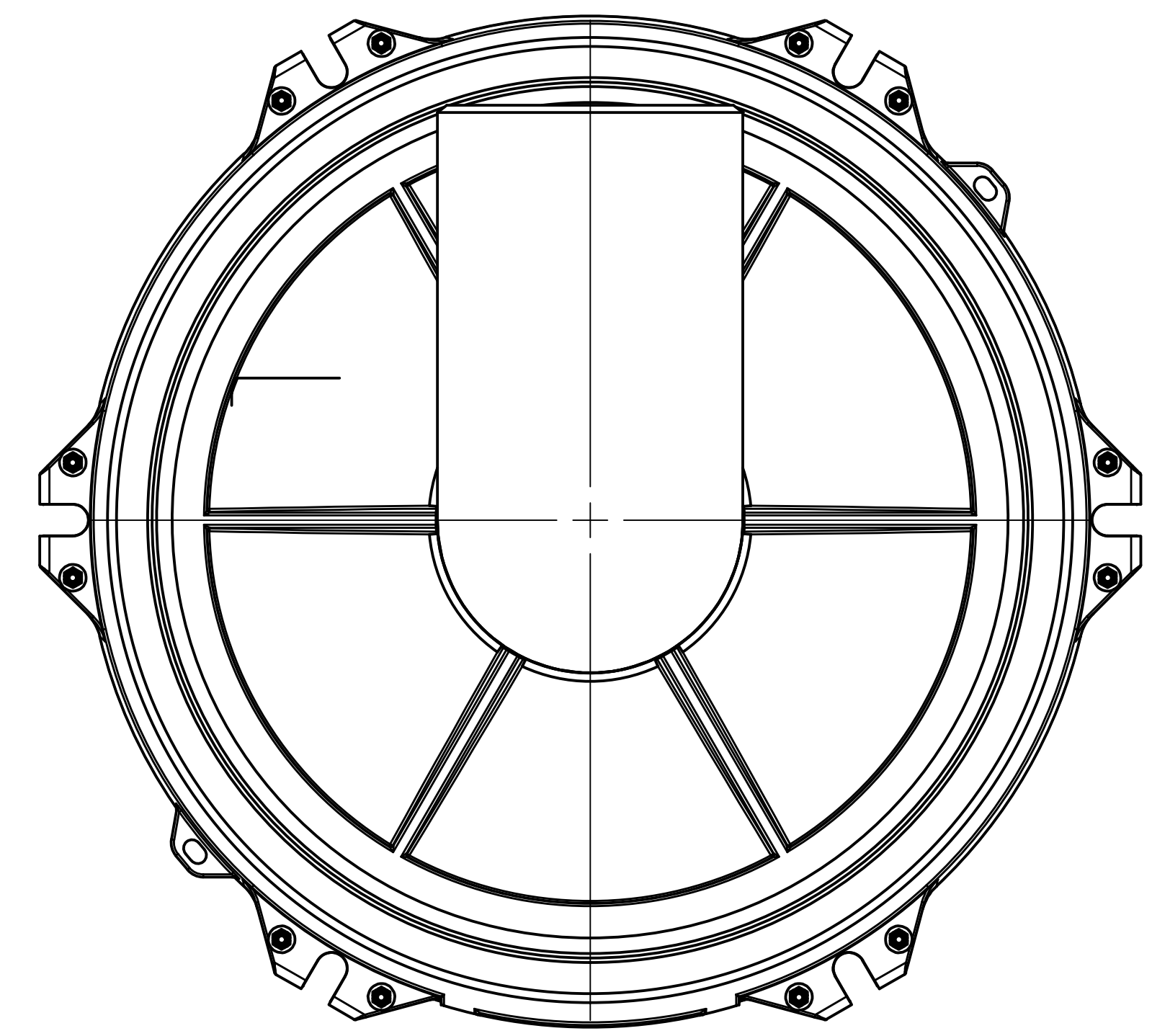


SALES DRAWING SALES DRAWING

SALES DRAWING SALES DRAWING



ISOMETRIC VIEW



|   |                             |            |
|---|-----------------------------|------------|
| UNLESS OTHERWISE SPECIFIED<br>DIMENSIONAL TOLERANCES  | DRAWN BY:                   | WEB        |
| FRACTIONAL: ±1/16   | CHECKED BY:                 | CHL        |
| X.XX: ±.03  | PROTOTYPE BY:               | WEB        |
| X.XXX: ±.015  | PROTOTYPE DATE:             | 10/23/2014 |
| ANGULAR: ±1°  | APPROVED FOR PRODUCTION BY: | WEB        |
| DEBURR ALL SHARP EDGES.<br>ALL MACHINED SURFACES TO<br>HAVE A 125 RMS FINISH<br>UNLESS NOTED OTHERWISE. | PRODUCTION DATE:            | 11/26/2014 |
| THIRD ANGLE PROJECTION  |                             |            |

| REV | BY  | DATE     | DESCRIPTION  |
|-----|-----|----------|--|
| C   | WEB | 8-6-19   | UPDATED WELD NOTE TO WPS-T01, WPS-P01, & WPS-M09; ADDED D-005 NOTE; REPLACED B37814 W/ B49309; UPDATED WELDS; UPDATED BOM MATERIALS; REPLACED PD20HC1002AH W/ PD20HC1008AH |
| B   | JG  | 5-18-17  | UPDATED WELD NOTE TO DSS 12, WELD SYMBOLS  |
| A   | WEB | 11-26-14 | RELEASED FOR PRODUCTION  |

**SALCO PRODUCTS, INC.**

|   |                                |                      |
|---|--------------------------------|----------------------|
| PART NAME:<br><b>LOADING COVER ASSEMBLY 20"</b> |                                |                      |
| MATERIAL:<br><b>ALUMINUM</b>                    |                                |                      |
| PROJECT #:<br><b>R141022</b>                    | SHEET #:<br><b>1 OF 1</b>      | SCALE:<br><b>1:3</b> |
| DRAWING #:<br><b>D40216</b>                     | PART #:<br><b>LC2060MK90PD</b> |                      |

THIS PRINT, PROPERTY OF SALCO PRODUCTS INC. CONTAINS PROPRIETARY INFORMATION AND MUST NOT BE COPIED, REPRODUCED, OR USED DETRIMENTALLY TO OUR INTEREST.